

## HAIR DRYER WALL MTD./ SECADOR CABELLOS PARED

Código: 152636

### Descripción general

- Secador de cabello por aire caliente
- Accionamiento automatico al descolgar el mango con selector de velocidad x 3 posiciones.
- Dispositivo ultra-compacto de elevado rendimiento.
- Maxima seguridad en su categoria.
- Modelo apto para habitaciones de hotel.

### General description

- Warm air hair dryer, wall-mounted.
- Telephone-like
- Three speed positions.
- Supplied with cord and plug.
- Automatically activates when hand piece is removed from the base.
- Small-size appliance.
- Highest electrical safety.
- Suitable for hotel bathrooms.

### Componentes y Materiales

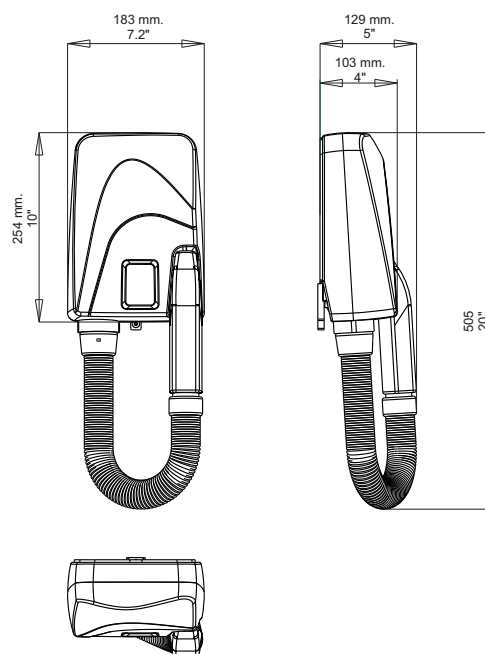
- Carcasa de policarbonato auto-extinguible UL 94 V Ø, color blanco.
- Base con 2 agujeros Ø 6 mm para montaje en pared.
- Motor DC que incorpora un limitador termico de seguridad.
- Turbina, axial, de termoplastico.
- Resistencia que incorpora un limitador termico de seguridad.
- Mango, de termoplastico ABS, color blanco, Con refuerzo anti-calórico.
- Tubo extensible de poliuretano, color blanco.

### Components and Materials

- White self-extinguishing polycarbonate UL 94-VO one-piece cover. Fixed to the base by means of three screws.
- White self-extinguishing UL 94-VO base, 3 mm thick, with 2 holes of Ø 6 mm for mounting on the wall.
- DC motor, 6.500 rpm, includes a thermal overload switch.
- Thermoplastic axial turbine.
- Spiral NiCr 40 heating element that incorporates a thermal overload switch.
- White ergonomic handset and fitting. No danger in case of the handset falling in the washbasin or bathtub.
- Polyurethane white hose.

### Technical Specifications / Características Técnicas

Voltage - 220-240 V	Motor power - 70 W
Electrical isolation - clase II	Consumption - 2,6 A
Frequency - 50 Hz	RPM - 6500
Dimensions - 505 x 184 X 130 mm	Air temperature• 10 cm distance / 21 °C, - 60°C
Weight - 2,1 Kg	Noise level • at 2 m, - 68 dB
Effective airflow - 65 m <sup>3</sup> /h 1080 l/min	Maximum dimensions-510x183x104 mm
Air velocity - 51 Km/h	Length of the hose - 1000-2500 mm
Total power - 1100 W	Installation height - 1300-1500 mm



### Funcionamiento

Descolgar el mango del soporte. Dirigir el flujo de aire sobre el cabello a conveniencia. El secador de cabello funcionara ininterrumpidamente, hasta colgar el mango.

### Operation

Remove hand piece from base. The dryer will start automatically and go on with no interruption until the hand piece is replaced into the base. Please direct the nozzle to the hair at your own convenience.

### Certificates & Qualifications ISO 9001:2008

Sonia, S.A., reserves the right to make changes and/or modifications to the products and their specifications without prior notice.

Sonia, S.A., se reserva el derecho a efectuar cambios y/o modificaciones en los productos y sus especificaciones sin previo aviso.